

# Replacing Batteries on your Passive Infrared Motion Detector



This information is provided so that, for your convenience, you can swap out batteries in a wireless device in your Smart Home Security System.

- 1) BEFORE you start tampering with your device, please call our Monitoring Center at (866)406-5787 to put the system in "test" mode. You will need your password to verify it is you, and not an unauthorized person calling. They will put the alarm in a suspended mode so that your activities will not set off a false alarm.
- 2) Using the below diagrams and instructions, you should be able to open the cover of the device and swap old batteries for new.
- 3) Please call our local office at (865)474-9495 if you have any questions or problems.

## Inserting and Replacing the Battery

To insert or replace the battery:

- 1 Unwrap the PIR and remove the screw from the case bottom.
- 2 Remove the backplate using a bottom-to-top lifting motion.
- 3 Insert the battery.

Always match the plus (+) sign on the battery with the flat side of the compartment and the minus (-) sign on the battery with the spring side.

- 4 Replace the PIR cover.

**WARNING:** Failure to follow these warnings and instructions can lead to heat generation, rupture, leakage, explosion, fire, or other injury, or damage. Do not insert the battery into the compartment in the wrong direction. Always replace the battery with the same or equivalent type (see *Specifications* on page 4). Never recharge or disassemble the battery. Never place the battery in fire or water. Always keep batteries away from small children. If batteries are swallowed, promptly see a doctor.

- Always dispose and/or recycle used batteries in accordance with the hazardous waste recovery and recycling regulations for your location. Your city, state, or country may also require you to comply with additional handling, recycling, and disposal requirements.

Figure 1 Passive Infrared Motion Detector

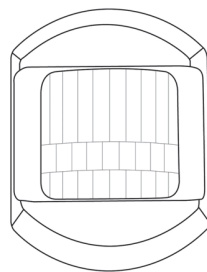
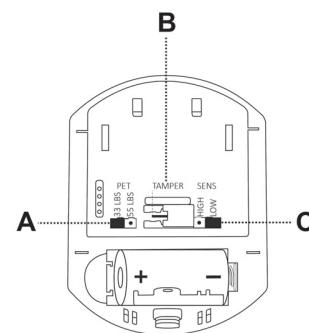
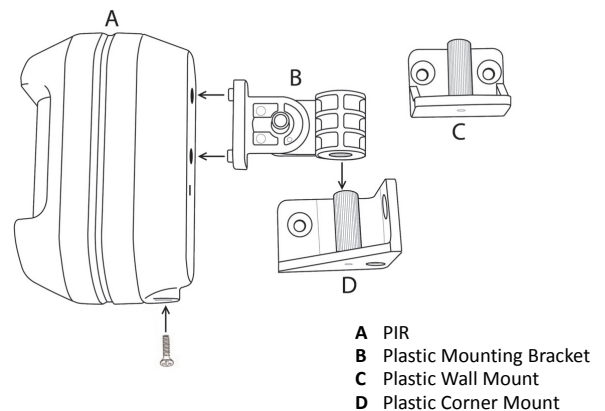


Figure 2 PIR Pet Immune and Sensitivity Features



- A PET: This is the pet-immune tolerance setting [33 LBS (15 kg) or 55 LBS (25 kg)].
- B TAMPER: This is the tamper switch.
- C SENS: This is the sensitivity setting (High or Low).

Figure 3 PIR and Mounting Bracket Detail



**NOTE:** Each of these devices requires one 3V lithium battery. Look, or ask, for CR123A batteries at your favorite store.



"In GOD we trust, all others we monitor."

11426 Kingston Pike • Farragut, TN 37934

(865) 474-9495